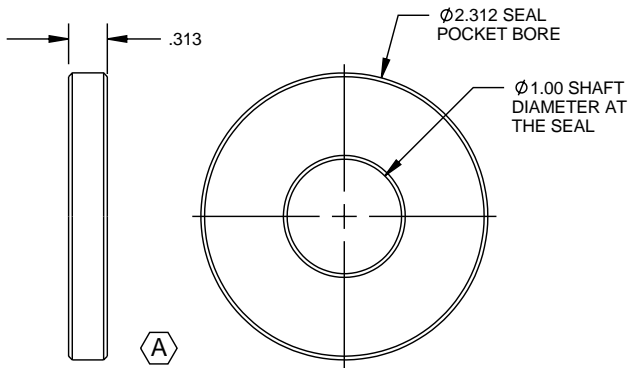
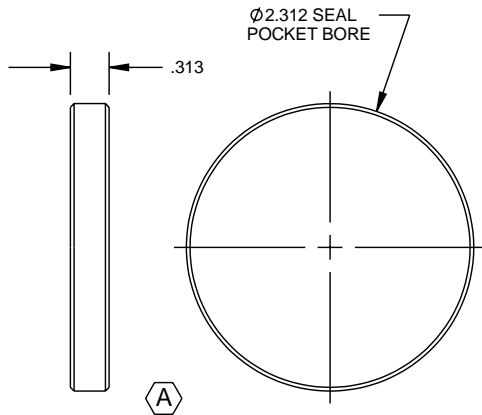


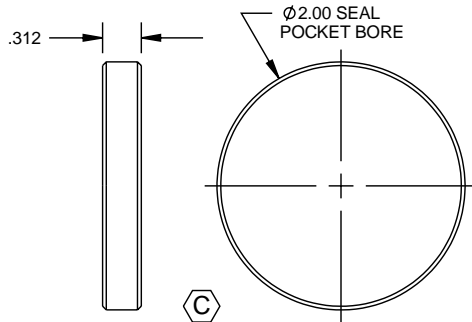
- NOTES:  
 1. KIT CONTAINS:  
 ONE .5 OZ TUBE- 598 BLACK LOCTITE  
 TWO - 209843 SEALS  
 TWO - W26232 SEALS  
 TWO - 412458 SEALS  
 ONE - 200301 END CAP  
 ONE - 400301 END CAP  
 ONE - W26231 END CAP



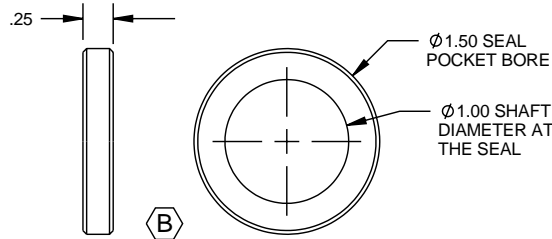
2X NITIRLE SEAL, PART NUMBER- W26232  
 LOCATION A, ONLY 1 REQUIRED WITH  
 A SINGLE SIDED INPUT SHAFT.



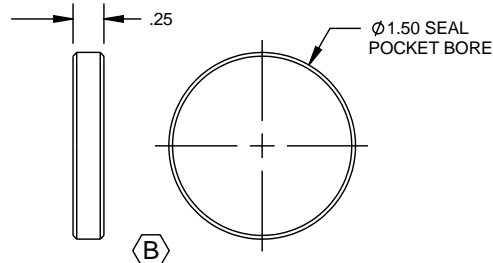
1X SOLID END CAP, PART NUMBER W26231  
 LOCATION A, ONLY USED WITH A SINGLE  
 SIDED INPUT SHAFT.



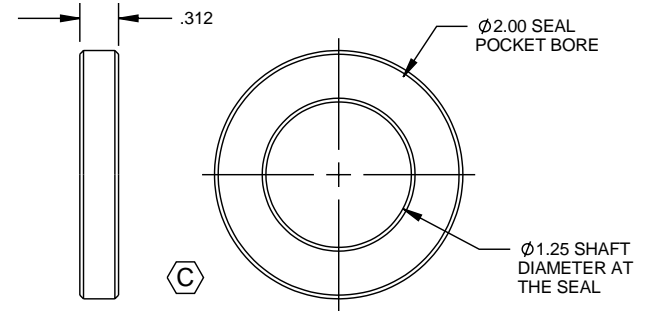
1X SOLID OUTPUT SHAFT END CAP,  
 PART NUMBER 400301 (USED WITH A  
 SINGLE SIDED OUTPUT SHAFT) LOCATION C



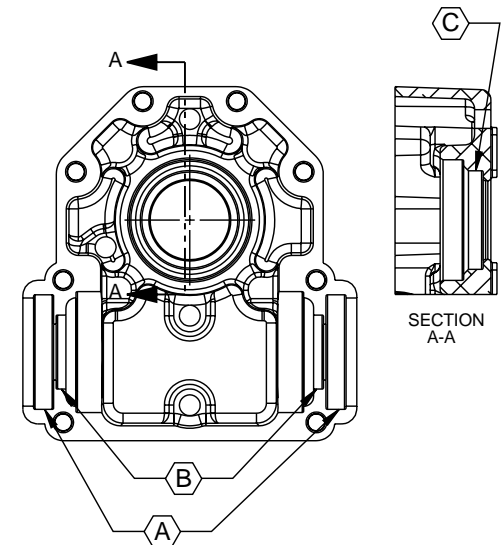
2X NITIRLE SEAL, PART NUMBER - 209843  
 LOCATION B, ONLY 1 REQUIRED WITH  
 A SINGLE SIDED INPUT SHAFT.



1X SOLID END CAP, PART NUMBER 200301  
 LOCATION B, USED ONLY WITH A SINGLE  
 SIDED INPUT SHAFT.



2X NITIRLE OUTPUT SHAFT SEAL, PART NUMBER 412458,  
 ONLY 1 REQUIRED WITH A SINGLE SIDED OUTPUT SHAFT  
 LOCATION C



 SUPERIOR GEARBOX COMPANY  
 WWW.SUPERIORGEARBOXDIRECT.COM

KIT, SEAL, V210

SIZE <b>B</b>	PART NO. <b>V210-8Z00-K0389</b>	REV -
SCALE 1:1	DO NOT SCALE DRAWING	SHEET 1 OF 1