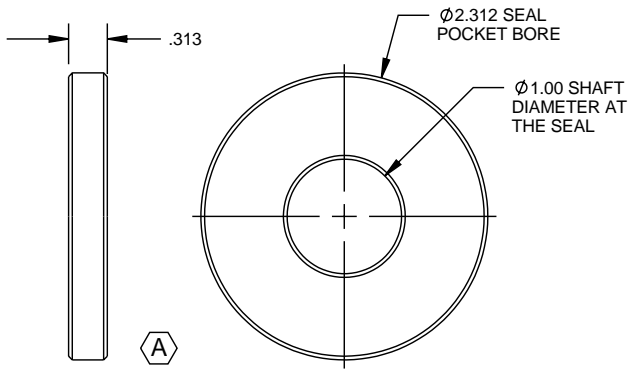
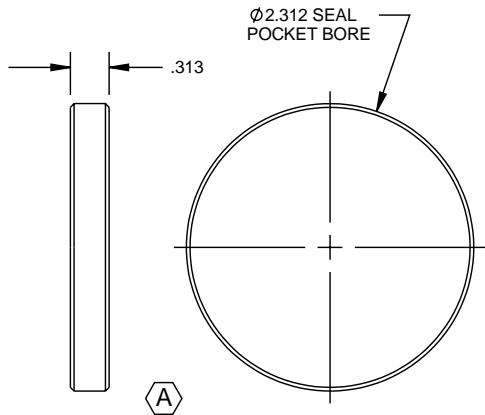


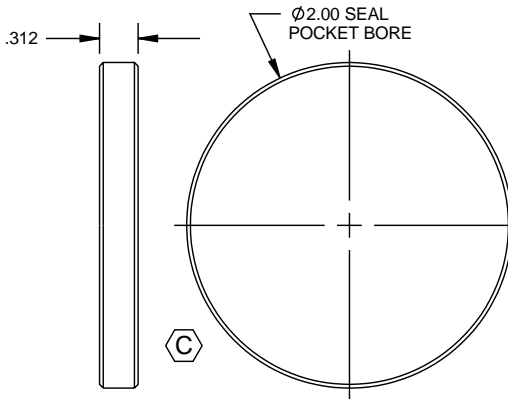
NOTES:
 1. KIT CONTAINS:
 ONE .5 OZ TUBE- 598 BLACK LOCTITE
 TWO - 209843 SEALS
 TWO - W26232 SEALS
 TWO - 819762 SEALS
 ONE - 200301 END CAP
 ONE - W26262 END CAP
 ONE - W26231 END CAP



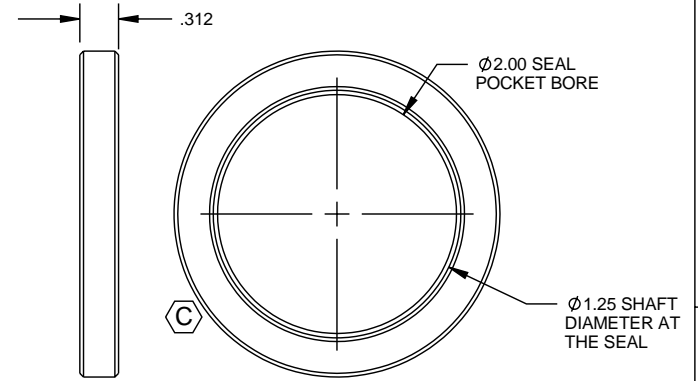
2X NITIRLE SEAL, PART NUMBER- W26232
 LOCATION A, ONLY 1 REQUIRED WITH
 A SINGLE SIDED INPUT SHAFT.



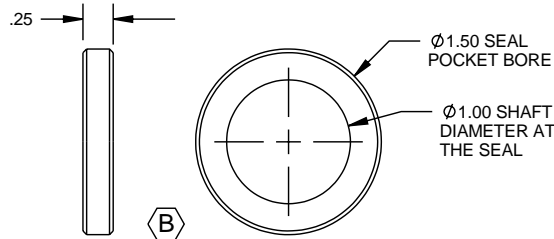
1X SOLID END CAP, PART NUMBER W26231
 LOCATION A, ONLY USED WITH A SINGLE
 SIDED INPUT SHAFT.



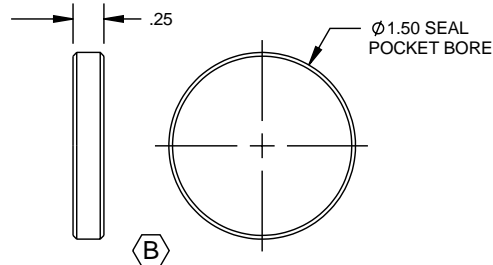
1X SOLID OUTPUT SHAFT END CAP,
 PART NUMBER W26262 (USED WITH A
 SINGLE SIDED OUTPUT SHAFT) LOCATION C



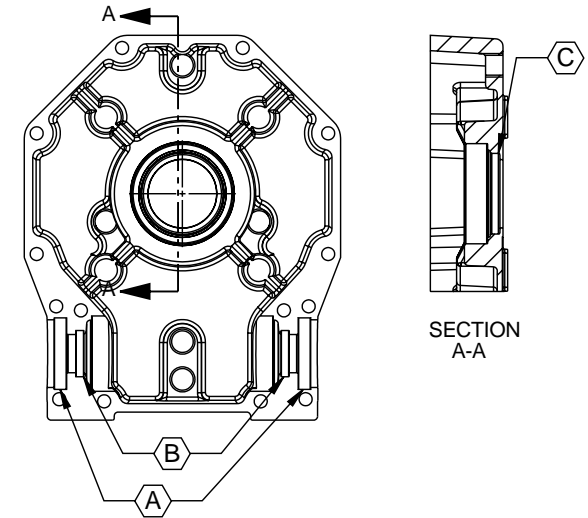
2X NITIRLE OUTPUT SHAFT SEAL, PART NUMBER 819762
 ONLY 1 REQUIRED WITH A SINGLE SIDED OUTPUT SHAFT
 LOCATION C



2X NITIRLE SEAL, PART NUMBER - 209843
 LOCATION B, ONLY 1 REQUIRED WITH
 A SINGLE SIDED INPUT SHAFT.



1X SOLID END CAP, PART NUMBER 200301
 LOCATION B, USED ONLY WITH A SINGLE
 SIDED INPUT SHAFT.



 SUPERIOR GEARBOX COMPANY
 WWW.SUPERIORGEARBOXDIRECT.COM

KIT, SEAL, W260

SIZE B	PART NO. W260-8Z00-K0390	REV -
SCALE 1:1	DO NOT SCALE DRAWING	SHEET 1 OF 1